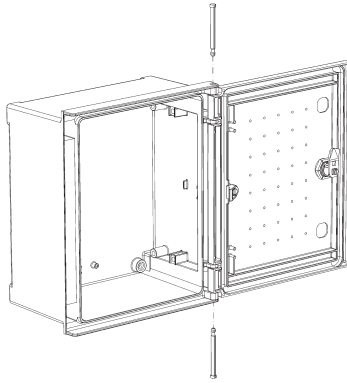




Double Insulation polyester enclosures.
Light Grey Colour RAL7035. Self-extinguishing material



End user friendly hinge-pin system. It enables to work separately on the rear back panel and on the door, making the assembly more comfortable and very easy to replace doors.



Modular Chassis

safybox BRES

GRP POLYESTER ENCLOSURES



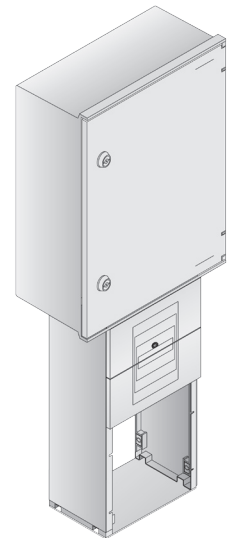
Customization of enclosures according to your requirements : cut-outs, windows, sockets...



Safybox-BRES enclosure with Glazed door



Safybox-BRES enclosure with wall mounting brackets.
Pole Mounting kit and three point locking system with swing handle.

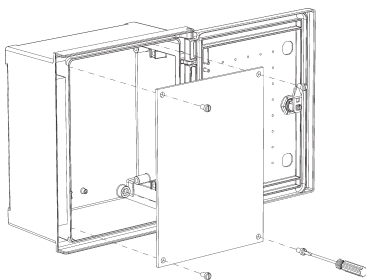


Safybox-BRES enclosure with pedestal.

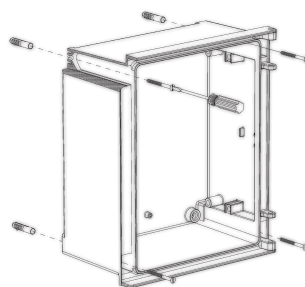
SAFYBOX BRES IP66 & IK10

Big range of **acesories:**

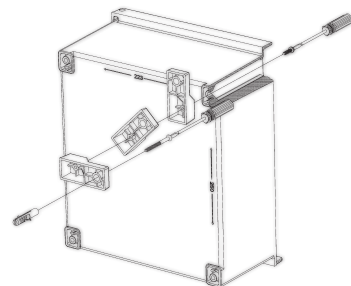
Internal Door, pedestals, coupling flanges to connect enclosures, different lock options, ventilation devices...



Wall mounting plate. Polyester or Galvanized Steel.

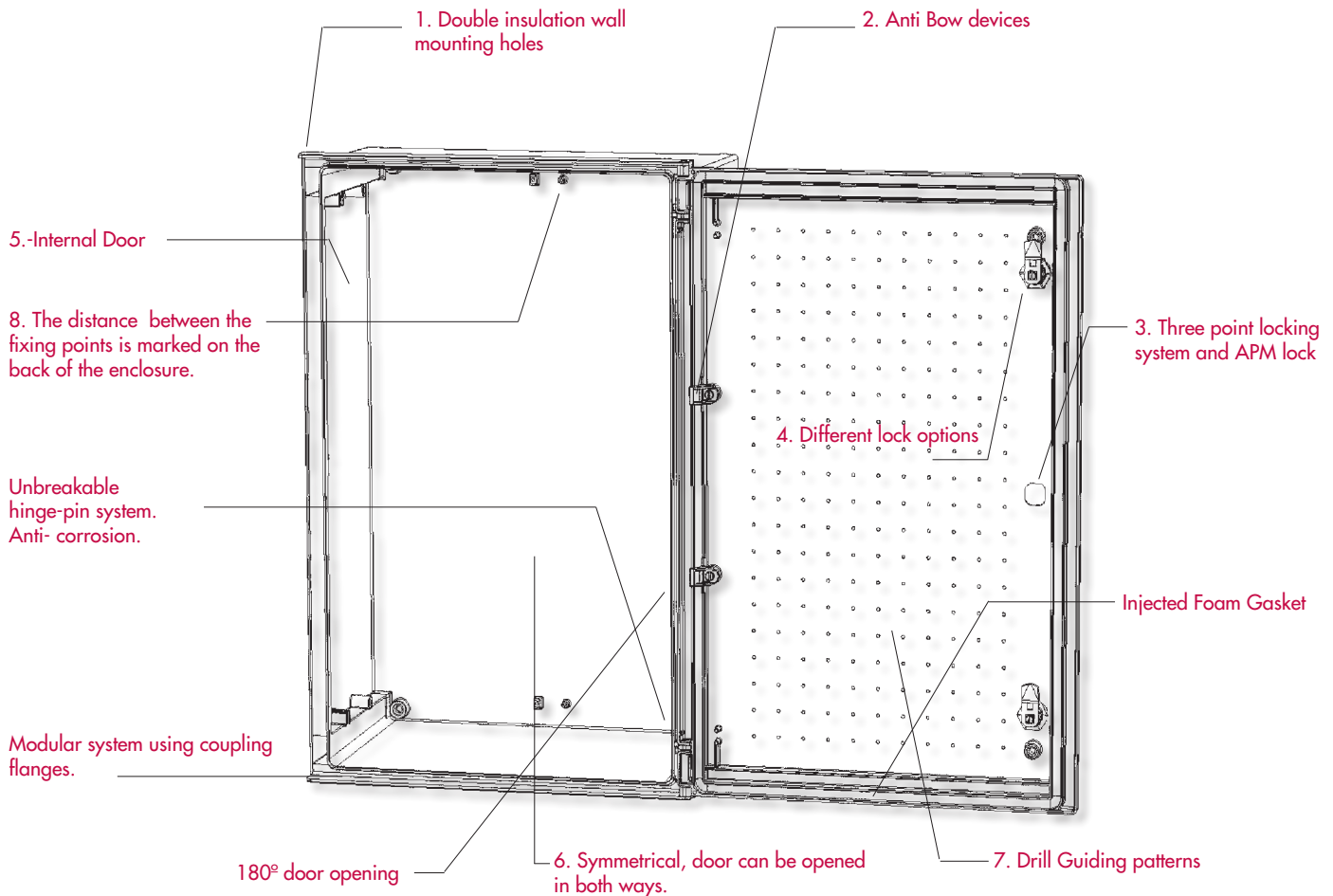


Direct Wall mounting (double insulation holes)



Wall mounting brackets can be used in different positions

polyester enclosure



1. Double insulation enclosure with holes designed for direct wall mounting leaving the actual enclosure space completely insulated.
Wall mounting Systems for double insulation :
A) Direct wall mounting using the double insulation holes.
B) Wall mounting brackets which can be fixed in different positions.
2. Anti Bow patented devices. Improved and end user friendly version of a 3rd hinge that make replacing doors very easy.
3. Safybox-APM padlocking facility (Optional).
4. Different Lock options : Three single locks, three point lock system with swing handle...
5. Internal Door.
6. Symmetrical enclosure, door can be opened both right or left way by turning the enclosure upside down.
7. The door is supplied with drill guiding patterns.
8. The distance between the different fixing points is marked on the back of the enclosure

- All Safybox-BRES enclosures are supplied with the door unfitted with a view to offer **the most end-user friendly enclosure experience**. Hinge pins will be found attached onto the door with an adhesive tape. In addition, it will enable to work separately on the rear back panel and on the door, making the assembly more comfortable and once the panel is ready just easily fit the door onto the panel – job done!

- Uriarte Safybox strongly advise using the holes provided for double insulation to ensure the IP rating and therefore a better and longer performance of the equipment mounted inside.

The use of wall mounting brackets is an option for the end user, Safybox-BRES has been specially designed to be mounted without them.

Polyester Enclosures

STANDARD EMPTY ENCLOSURE

Includes : Empty Enclosure, rawl plugs and screws for direct wall mounting, screws for mounting plate, double bar lock and key.

Part No.	Size	Price Euros	Packing	Unit Weight
BRES-325	300x250x140 mm	67,41	2	1,93
BRES-43	400x300x200 mm	86,87	1	3,60
BRES-44	400x400x200 mm	100,58	1	4,35
BRES-54	500x400x200 mm	122,57	1	5,25
BRES-64	600x400x230 mm	140,97	1	7,13
BRES-65	600x500x230 mm	159,49	1	7,93
BRES-83	800x300x230 mm	224,72	1	6,40
BRES-86	800x600x300 mm	253,81	1	12,65



EMPTY ENCLOSURE WITH GLAZED DOOR

Includes : Empty Enclosure, rawl plugs and screws for direct wall mounting, screws for mounting plate, double bar lock and key.

Part No.	Size	Price Euros	Packing	Unit Weight
BRES-325P	300x250x140 mm	89,73	2	2,00
BRES-43P	400x300x200 mm	120,05	1	3,57
BRES-44P	400x400x200 mm	137,03	1	4,30
BRES-54P	500x400x200 mm	177,67	1	5,21
BRES-64P	600x400x230 mm	196,31	1	7,05
BRES-65P	600x500x230 mm	212,77	1	7,56
BRES-83P	800x300x230 mm	281,75	1	6,40
BRES-86P	800x600x300 mm	356,60	1	12,15



INTERNAL DOOR

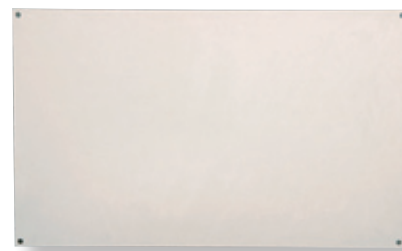
Includes : Internal door with 1 double bar lock and all the assembling accessories kit and mounting instructions. Enclosure not included

Part No.	Description	Price Euros	Packing	Unit Weight
PUI-43	Polyester internal door for BRES-43	55,46	1	4,10
PUI-44	Polyester internal door for BRES-44	62,25	1	4,95
PUI-54	Polyester internal door for BRES-54	66,84	1	5,95
PUI-64	Polyester internal door for BRES-64	70,17	1	7,93
PUI-65	Polyester internal door for BRES-65	73,57	1	8,83
PUI-83	Polyester internal door for BRES-83	88,67	1	7,48
PUI-86	Polyester internal door for BRES-86	100,81	1	13,65



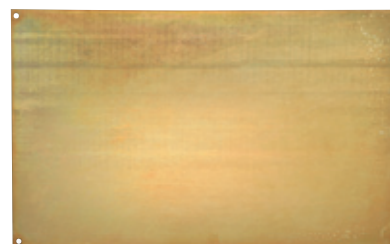
Polyester Mounting Plates

Part No.	Description	Price Euros	Packing	Unit Weight
PBP-325	Polyester Mounting Plate for BRES-325	6,88	5	0,38
PBP-43	Polyester Mounting Plate for BRES-43	11,52	5	0,59
PBP-44	Polyester Mounting Plate for BRES-44	16,44	4	0,87
PBP-54	Polyester Mounting Plate for BRES-54	17,48	4	1,09
PBP-64	Polyester Mounting Plate for BRES-64	25,98	4	1,30
PBP-65	Polyester Mounting Plate for BRES-65	30,03	4	1,75
PBP-83	Polyester Mounting Plate for BRES-86	32,51	2	1,46
PBP-86	Polyester Mounting Plate for BRES-86	55,16	2	2,78



Galvanized Steel Mounting Plates

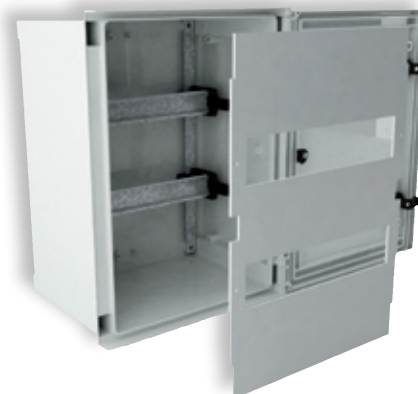
Part No.	Description	Price Euros	Packing	Unit Weight
PBM-325	Galvanized Steel Mounting Plate for BRES-325	16,03	5	0,79
PBM-43	Galvanized Steel Mounting Plate for BRES-43	18,38	5	1,30
PBM-44	Galvanized Steel Mounting Plate for BRES-44	25,30	4	1,90
PBM-54	Galvanized Steel Mounting Plate for BRES-54	26,25	4	2,20
PBM-64	Galvanized Steel Mounting Plate for BRES-64	41,01	4	3,00
PBM-65	Galvanized Steel Mounting Plate for BRES-65	45,96	4	3,60
PBM-83	Galvanized Steel Mounting Plate for BRES-83	48,17	2	3,26
PBM-86	Galvanized Steel Mounting Plate for BRES-86	59,89	2	6,40



Modular Chassis (17,5 mm)

Enclosure not included

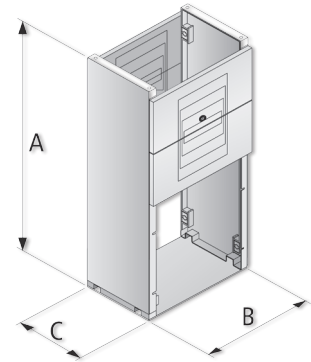
Part No.	Description	Price Euros	Packing	Unit Weight
CHM-325	For BRES-325 enclosure. 20 MCBs in 2 rows	43,28	2	1,15
CHM-43	For BRES-43 enclosure. 24 MCBs in 2 rows	54,49	2	1,22
CHM-44	For BRES-44 enclosure. 36 MCBs in 2 rows	57,51	2	1,50
CHM-54	For BRES-54 enclosure. 54 MCBs in 3 rows	73,15	2	1,80
CHM-64	For BRES-64 enclosure. 72 MCBs in 4 rows	100,31	2	2,32
CHM-65	For BRES-65 enclosure. 96 MCBs in 4 rows	115,69	2	2,62
CHM-83	For BRES-83 enclosure. 70 MCBs in 5 rows	118,10	2	2,22
CHM-86	For BRES-86 enclosure. 145 MCBs in 5 rows	127,55	2	4,37



▶ ▶ ▶ **Accessories**

PEDESTALS FOR SAFYBOX-BRES ENCLOSURES

Part No.	Description	(A x B x C)	Price Euros	Und.	Unit Weight
F0-44	Pedestal for BRES-44	500x365x170	248,16	1	6,1
F1-44	Pedestal for BRES-44	750x365x170	271,10	1	7,9
F2-44	Pedestal for BRES-44	1000x365x170	294,16	1	8,85
F0-54	Pedestal for BRES-54	500x365x170	248,16	1	6,1
F1-54	Pedestal for BRES-54	750x365x170	271,26	1	7,9
F2-54	Pedestal for BRES-54	1000x365x170	294,16	1	8,85
F0-64	Pedestal for BRES-64	500x365x200	273,10	1	6,15
F1-64	Pedestal for BRES-64	750x365x200	295,16	1	7,95
F2-64	Pedestal for BRES-64	1000x365x200	316,40	1	8,9
F0-65	Pedestal for BRES-65	500x465x200	291,40	1	7,2
F1-65	Pedestal for BRES-65	50x465x200	319,20	1	8,9
F2-65	Pedestal for BRES-65	1000x465x200	329,00	1	9,9
F0-86	Pedestal for BRES-86	500x500x300	322,10	1	8,25
F1-86	Pedestal for BRES-86	750x500x300	349,90	1	10,1
F2-86	Pedestal for BRES-86	1000x500x300	356,10	1	11

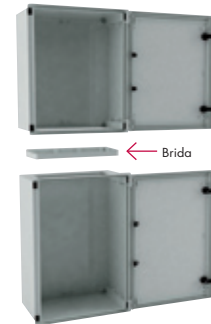


BRES-54-44

COUPLING FLANGES WITH GASKET

To connect BRES enclosures while keeping IP66 rating

Part No.	Description	Price Euros	Packing	Unit Weight
UA-230X100	Coupling Flange for top and bottom of BRES-325 and BRES-43 Enclosure	8,44	1	0,15
UA-350X150	Coupling Flange for top and bottom of BRES-44, BRES-54, BRES-64, BRES-65, BRES-83 and BRES-86	10,02	1	0,19
UA-350X150-B	Coupling flange for sides of enclosures BRES-43, BRES-44, BRES-54, BRES-64, BRES-65, BRES-83 and BRES-86	14,10	1	0,24



LOCK OPTIONS

Part No.	Description	Price Euros	Packing	Unit Weight
CCU-08	8 mm. square lock	7,85	1	0,05
CDB-10	Double Bar lock	7,85	1	0,04
CTR-11	11 mm. triangular lock	7,85	1	0,04
CML-12	Key Lock	9,45	1	0,07
CBC-13-in	Stainless Steel padlock facility	31,35	1	0,12
CBC-13	BiChrome padlock facility	7,37	1	0,10



CBC-13-in

KEYS

Part No.	Description	Price Euros	Packing	Unit Weight
LLD-10	Double Bar Key	0,97	1	0,01



CML-12

MOUNTING BRACKETS

Part No.	Description	Price Euros	Packing	Unit Weight
OFM-14	Wall Mounting brackets	5,41	4	0,36
OFM-14-F	Pole Mounting brackets	8,19	4	0,36
BAS-BRES	Steel frame for Pole mounting	98,98	1	-



OFM-14

VENTILATION DEVICES

Part No.	Description	Price Euros	Packing	Unit Weight
DV-m	Ventilation Device - Small	0,86	1	0,01
DV-g	Ventilation Device - Big	3,01	1	0,03



DV-g

MODULAR CHASSIS ACCESSORIES

Part No.	Description	Price Euros	Packing	Unit Weight
TEX-18*	Removable Blind lid 18 mm	0,57	1	0,05



TEX-18